

PureLine Brilliant White  
24" Whole Bean Coffee System

CVA 6401 BRWS



# Whole Bean Coffee System

## CVA 6401 BRWS



### CVA 6401 BRWS

#### Features:

- DirectSensor controls: choose an operating mode with a single touch of one of the symbols on the left of the display. The touch component to the right of the display is used to navigate through the different levels.
- OneTouch function prepares beverage with the touch of a button
- OneTouch for Two operation dispenses two cappuccino or latté macchiato drinks, coffee or espresso simultaneously
- EasyClick Milk System simply clicks the milk reservoir into and out of place at the front of the machine
- Dishwasher-safe milk flask
- Automatic rinsing and cleaning programs
- Up to 10 user profiles
- The coffee pot function allows up to 8 cups of coffee to be brewed at one time
- BrilliantLight
- Timer function
- Ground coffee chute for whole bean bypass
- Removable brew unit for easy cleaning
- Removable water tank

#### SPECIFICATIONS

##### CVA 6401 BRWS — Item 29640110USA

Overall Unit Width - Excluding Fascia Dimension	21 <sup>7</sup> / <sub>16</sub> " (545 mm)
Overall Unit Height - Excluding Fascia Dimension	17 <sup>1</sup> / <sub>2</sub> " (445 mm)
Overall Unit Depth - Excluding Fascia Dimension	18 <sup>1</sup> / <sub>8</sub> " (460 mm)
Door Depth When Open	23 <sup>7</sup> / <sub>16</sub> " (594 mm)
Overall Fascia Dimensions	23 <sup>7</sup> / <sub>16</sub> " (595 mm) W x 17 <sup>15</sup> / <sub>16</sub> " (455.5 mm) H x 1 <sup>3</sup> / <sub>16</sub> " (22 mm) D

##### Built-In

Minimum Cabinet Width	22 <sup>1</sup> / <sub>16</sub> " (560 mm)
Minimum Cabinet Depth	21 <sup>5</sup> / <sub>8</sub> " (550 mm)
Minimum Cabinet Height	17 <sup>11</sup> / <sub>16</sub> " (450 mm)
Minimum Base Support	62 lbs

Additional Cut-outs Required	Venting: 19 <sup>11</sup> / <sub>16</sub> " (500 mm) x 1 <sup>9</sup> / <sub>16</sub> " (40 mm) or 31" in <sup>2</sup> (200 cm <sup>2</sup> )
------------------------------	---

##### Electrical

Electrical Requirements	120V, 60Hz, 15A
Power Cord	Molded NEMA 5-15A plug, 6 ft (1.8 m)

##### Shipping

Shipping Weight	70 lbs
Shipping Dimensions	23 <sup>5</sup> / <sub>8</sub> " W x 22 <sup>1</sup> / <sub>16</sub> " H x 26" L

##### Support

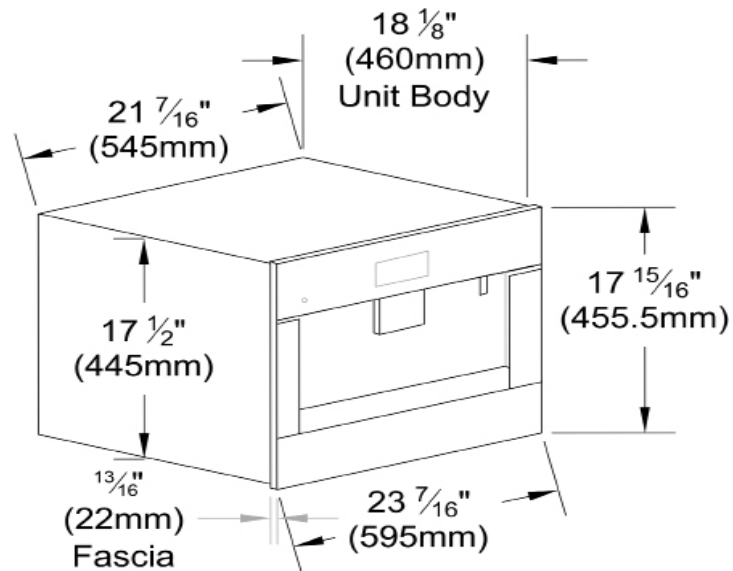
Call Miele	800.843.7231
Miele Website	<a href="http://www.mieleusa.com">www.mieleusa.com</a>
20/20 Link	<a href="http://2020technologies.com">2020technologies.com</a>

# Whole Bean Coffee System CVA 6401 BRWS

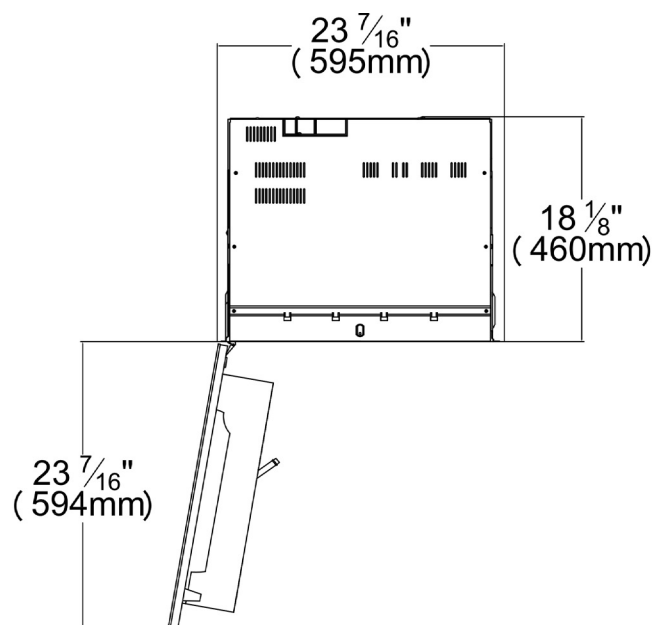


## PRODUCT VIEWS

Isometric View



Top View, Door Open

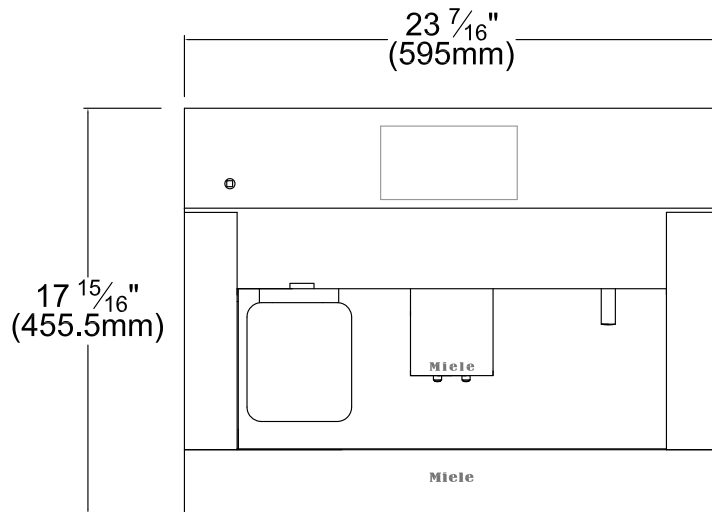


# Whole Bean Coffee System CVA 6401 BRWS

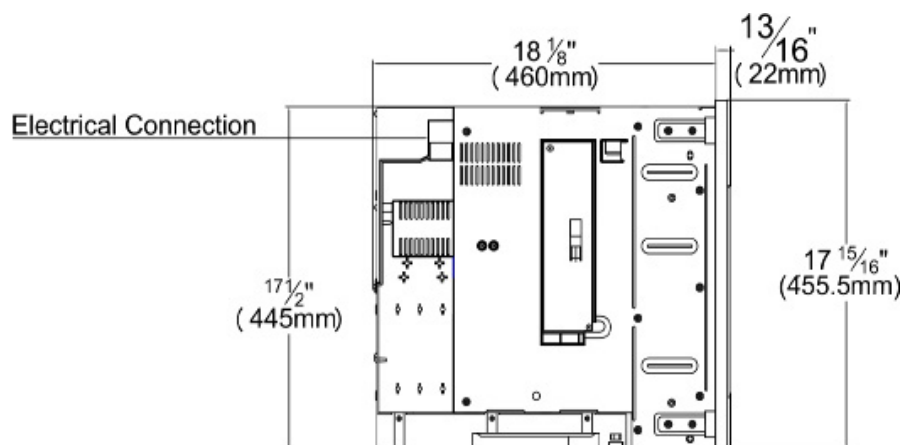


## PRODUCT VIEWS

### Front View

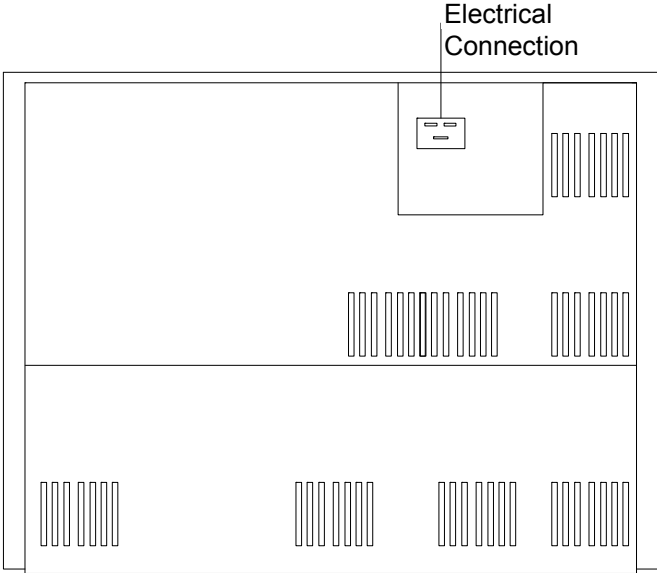


### Side View



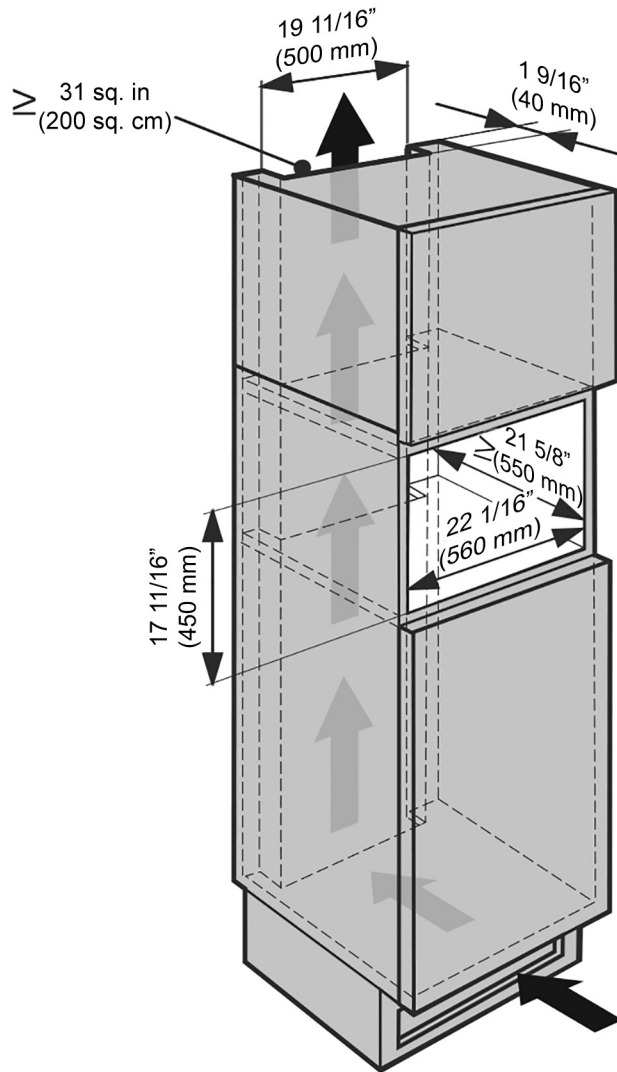
PRODUCT VIEWS

Rear View

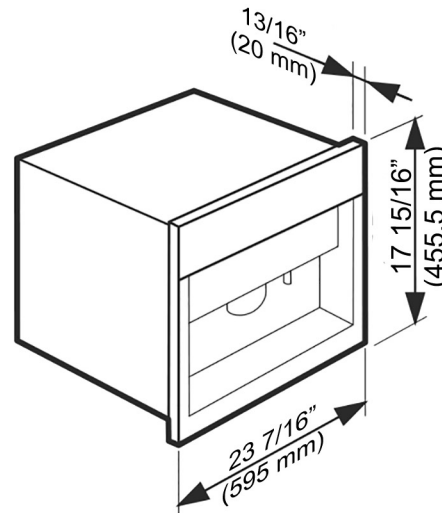
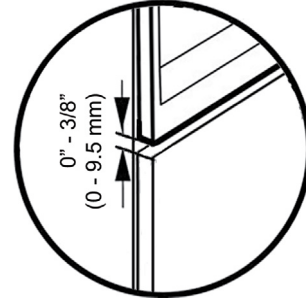


### INSTALLATION SPECIFICATIONS

#### Cutout Dimensions

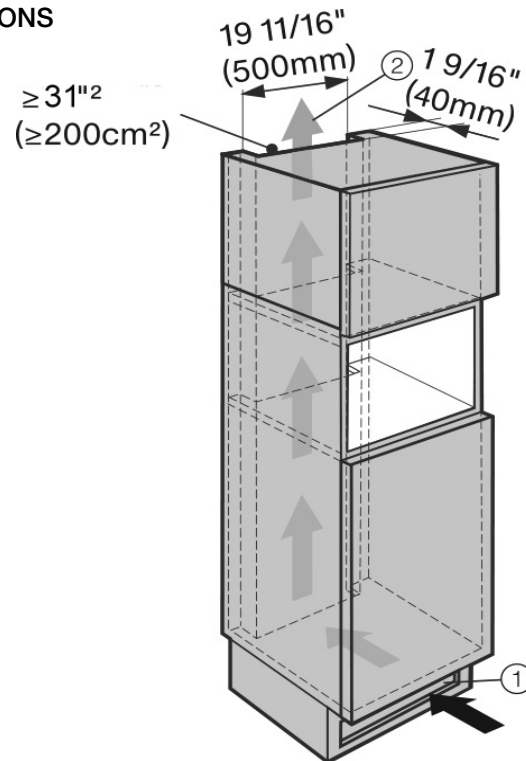


Lower gap adjustment detail when solo installed.  
(Adjusted by feet of CVA unit.)

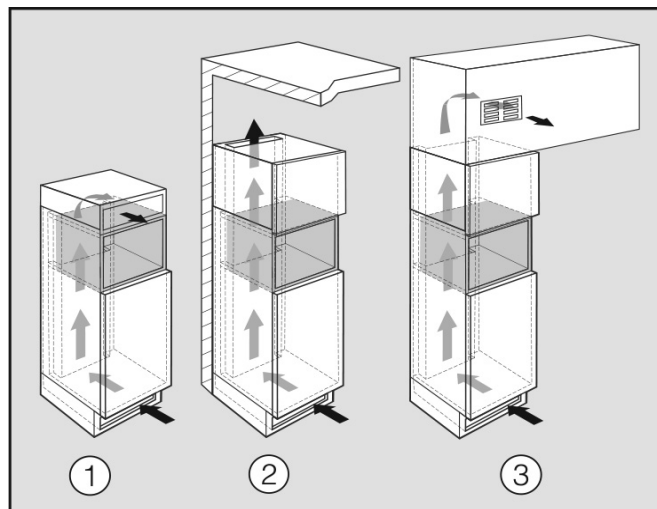


**PLEASE NOTE:** Condensation water can damage the coffee system or surrounding cabinets. The specified ventilation cross-sections absolutely must be observed.

## INSTALLATION SPECIFICATIONS Ventilation Requirements



Air intake ① occurs via the plinth at the bottom of the appliance and the air escapes at the top ② at the rear of the surrounding cabinets.



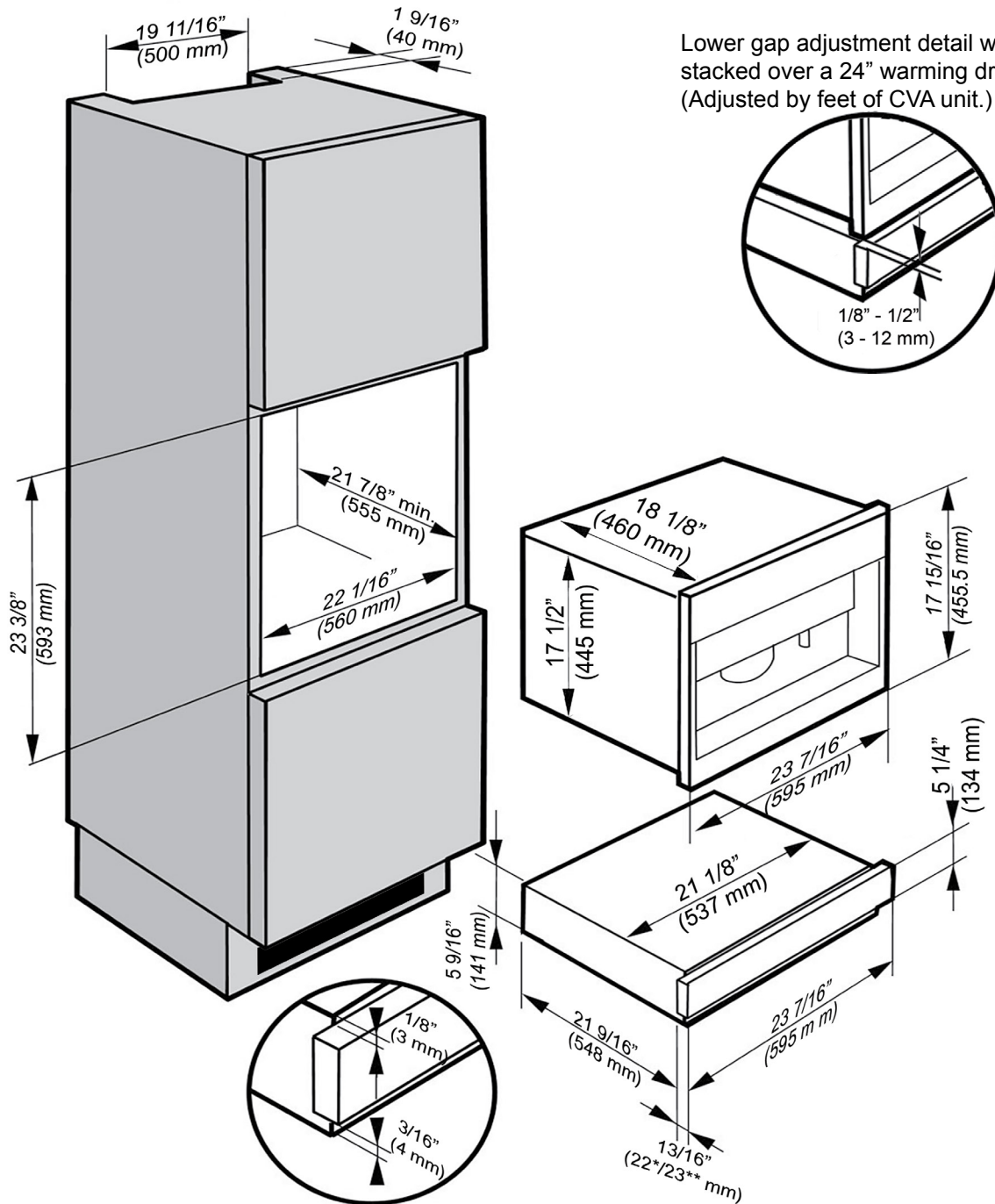
- ① directly above the coffee system with a ventilation grille (free airflow of at least 31 square inches / 200 cm<sup>2</sup>)
- ② between the surrounding cabinets and the ceiling
- ③ through a suspended ceiling

**PLEASE NOTE:** Condensation water can damage the coffee system or surrounding cabinets. The specified ventilation cross-sections absolutely must be observed.

# Whole Bean Coffee System CVA 6401 BRWS



## INSTALLATION SPECIFICATIONS With Warming Drawer



**PLEASE NOTE:** Condensation water can damage the coffee system or surrounding cabinets. The specified ventilation cross-sections absolutely must be observed.